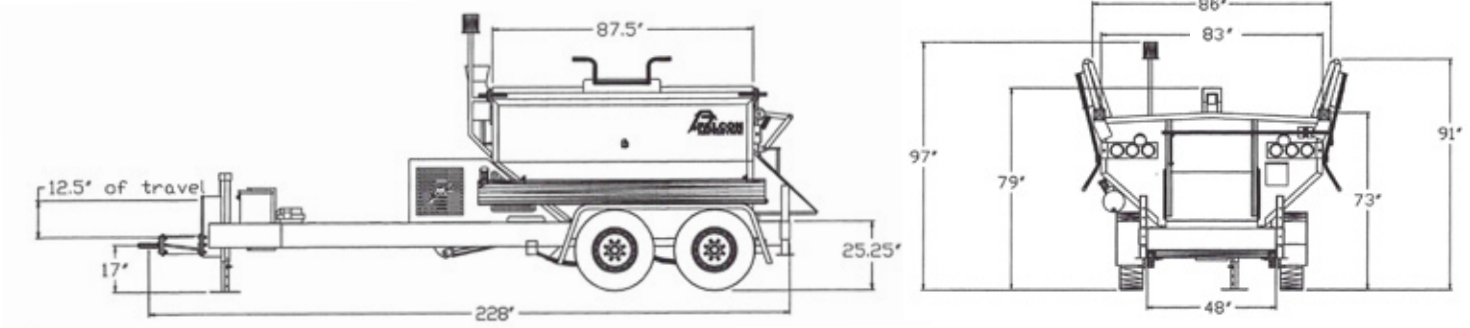


6 TON ASPHALT HOT BOX AND RECYCLER



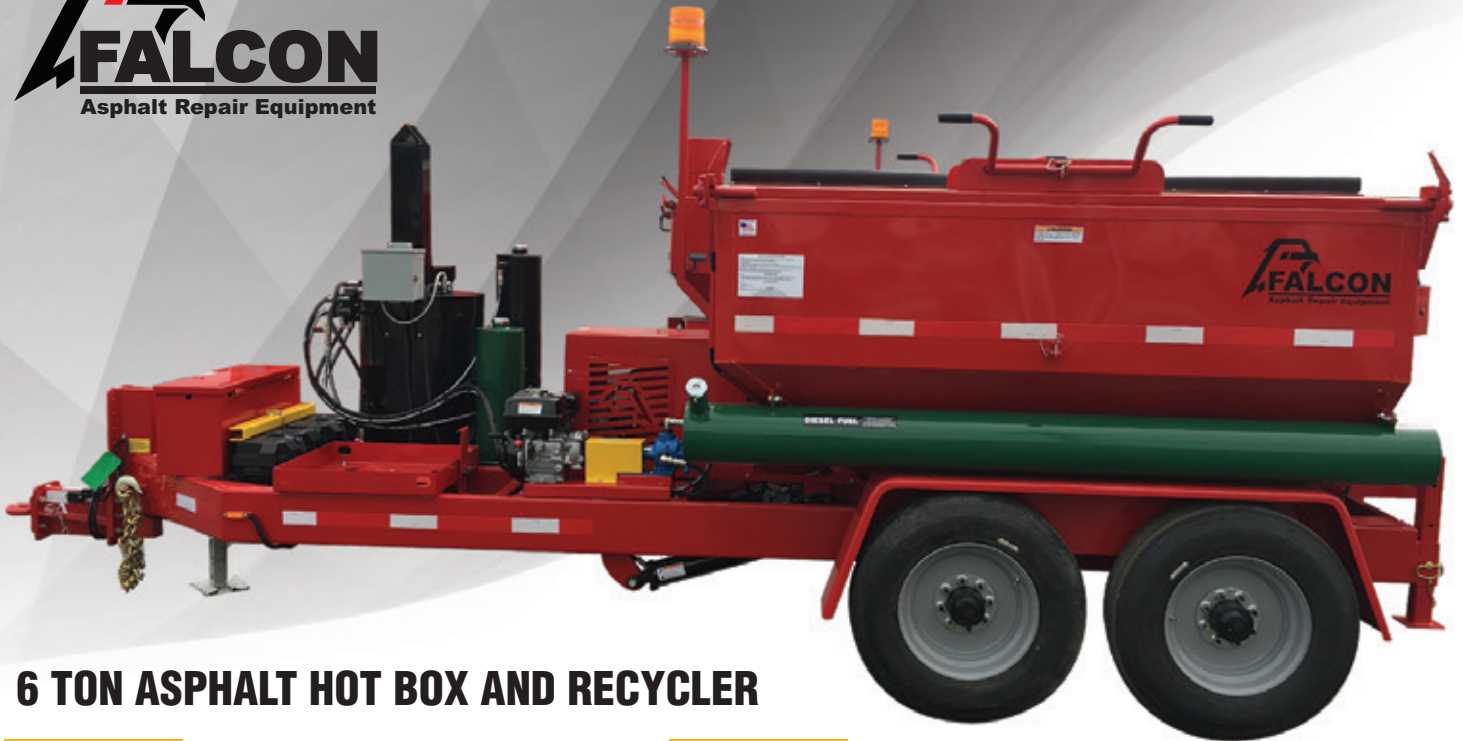
Type	6 Ton Trailer
Capacity	12,000 lbs of material
Base Weight	6,550 lbs
Weight loaded with material	18,550 lbs
GVWR	20,000 lbs
Fuel Source	Diesel
Fuel Capacity	20 gallons
Number of burners	2
Burner Type	(1) 105,000 BTU, (1) 94,000 BTU Diesel Beckett burners w/electronic spark ignition
Unloading door	Insulated guillotine, 18"Hx33" W
Loading doors	Manual bi-fold (hydraulic option)
Hopper opening	86" - doors open
Width	83"
Length	19'
Height	73"
Construction	Triple wall insulated/heated – air jacketed Hopper floor 1/4" steel 10 gauge capping channel and corner molding
Axles	Tandem torsion axle
Tires	8-bolt wheels w/17.5" tires
Brakes	Electric brakes with safety breakaway
Hitch	2.5" pintle eye
Paint	Blasted and painted with two coats of epoxy primer and urethane finish
Frame	2"x8"x1/4" tubular steel
Asphalt repair areas	15'x16'x4" depth (240 potholes 1'x1'x4" depth)
Warranty	Two year machine warranty, lifetime frame warranty

Falcon Asphalt Repair Equipment

2600 W. Salzburg Rd
 Freeland, MI 48623
 sales@falconrme.com

Phone: (989) 495-9332
 Fax: (989) 495-9342
 www.falconrme.com

WWW.FALCONRME.COM



6 TON ASPHALT HOT BOX AND RECYCLER

STANDARD:

- Battery charger package
- Automatic temperature control
- VIP technology
- One piece ceramic combustion chamber (diesel)
- Diamond tread plate hopper access platform
- Heated shoveling platform
- 12 volt deep cycle batteries
- Dual burner recycling package
- Hydraulic dump function

OPTIONS:

- Hydraulic unloading doors
- Bifold hydraulic loading doors
- LED light upgrades including LED arrow board
- 30 gallon tack tank with spray system and hose reel
- Basket for mounting compactor
- Wash-down system
- 24-hour or 7-day timer
- Electric overnight heat
- Hoist - manual or electric
- Propane torch with bracket
- Other customizable options available

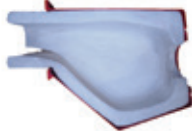
Falcon hot boxes and recyclers give you unparalleled **versatility**. You can **transport cold mix**, keeping it warm during the winter months and making it easier to work with; you can **transport hot mix and keep it hot all day**; and you can **hold hot mix overnight**, keeping it warm for up to 48 hours. You can also **reclaim unused hot mix**, eliminating the waste of good material, and you can **recycle asphalt chunks and millings**. All of this makes Falcon the most versatile machine you can buy for pavement preservation.

All Falcon machines are built with pride in Midland, Michigan and come with the following standard features: **patented heat management system** featuring a 5-year maintenance-free combustion chamber, **large unloading door** for easy access, **patented VIP system** to eliminate damage from low voltage, a **2-year machine warranty and lifetime frame warranty**, an emphasis on **curbside safety** and easy platform work surfaces, and a durable and **reliable dump system**.

THE FALCON ADVANTAGE



Large Unloading Door
For Easy Access



Patented Heat
Management System



Platform For Safe, Easy
Hopper Access



Patented VIP - Low
Voltage Shutdown



Dump System - Pivot
Point & V-Body



Lifetime Frame
Warranty

Falcon Asphalt Repair Equipment

2600 W. Salzburg Rd
Freeland, MI 48623
sales@falconrme.com

Phone: (989) 495-9332
Fax: (989) 495-9342
www.falconrme.com

WWW.FALCONRME.COM